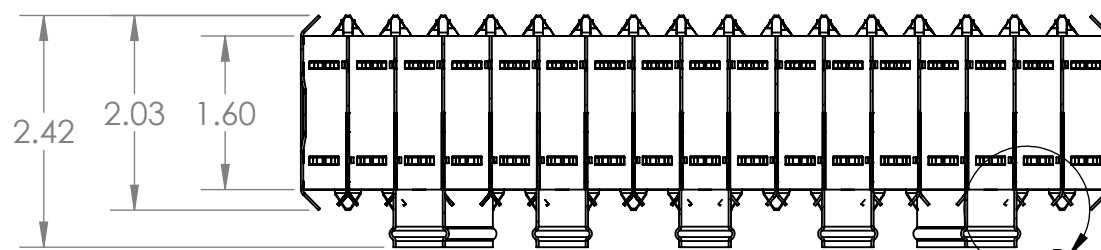
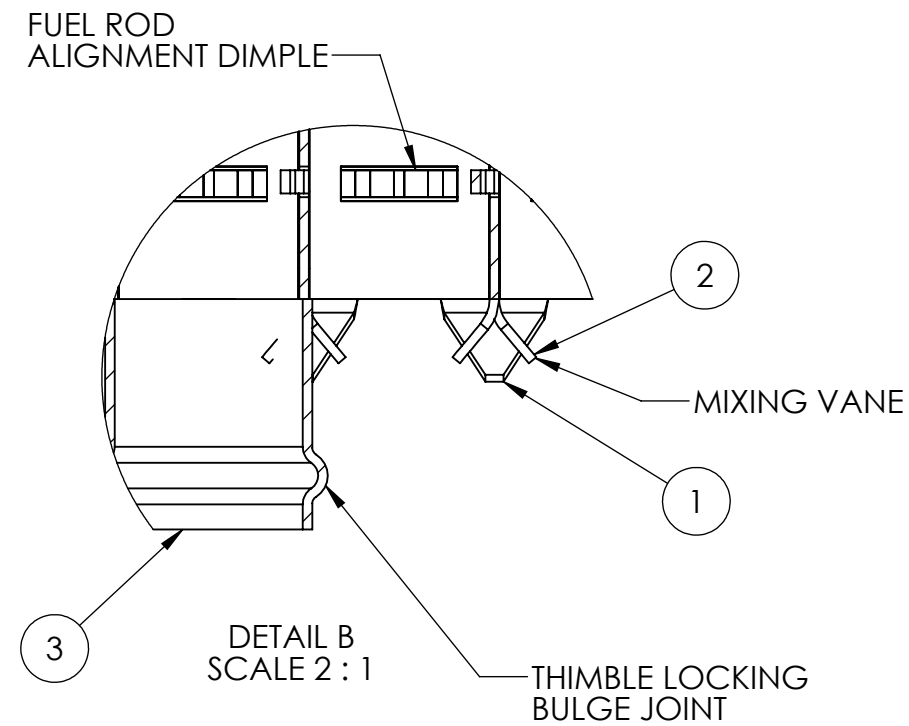
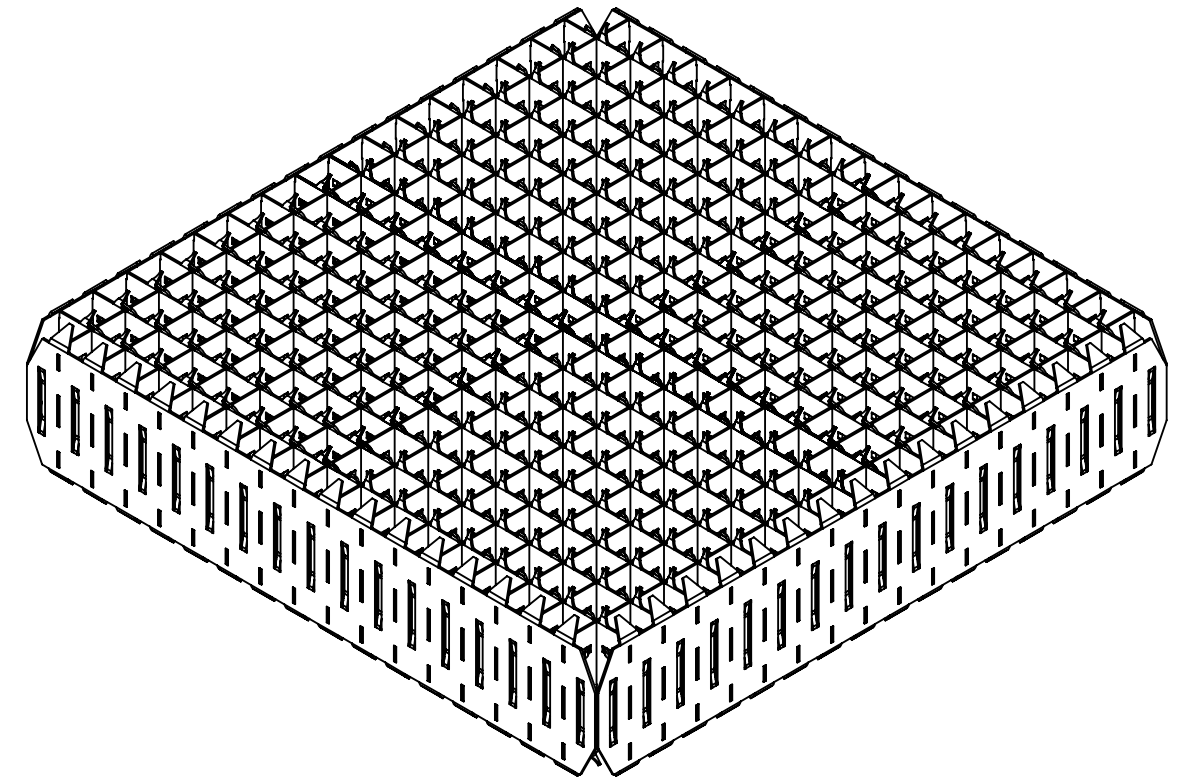
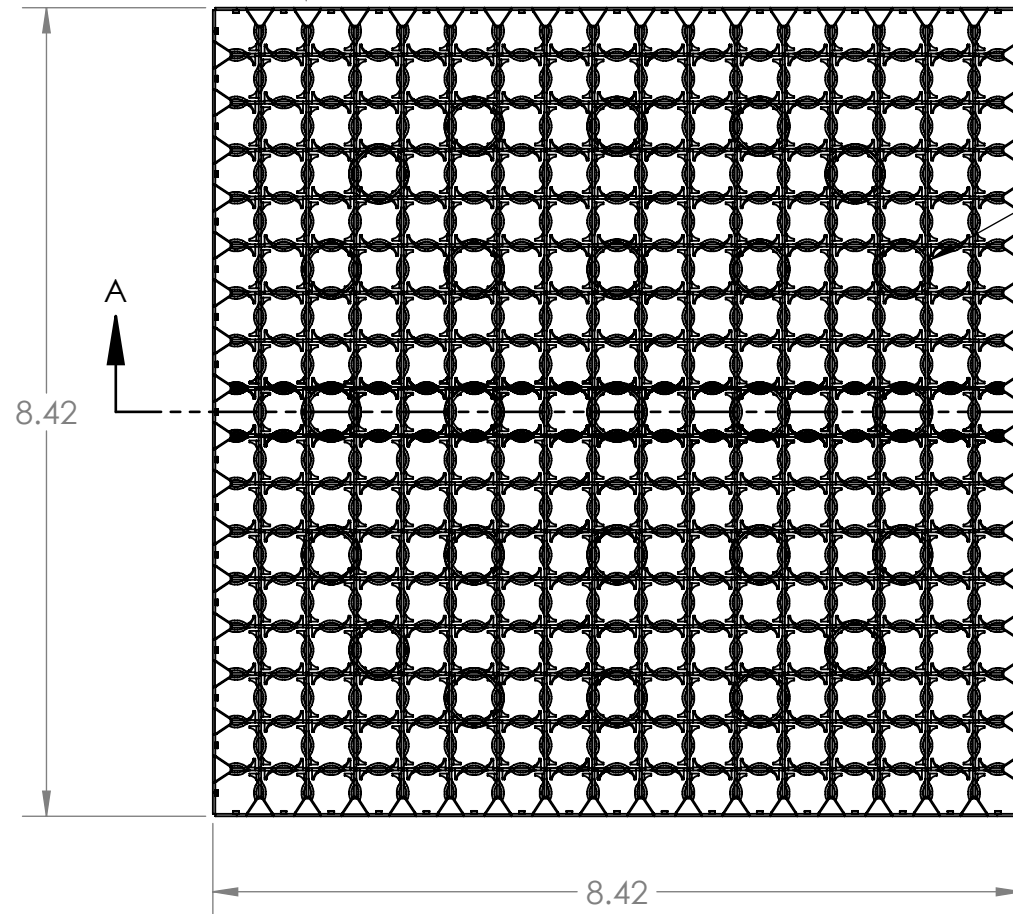


.496 TYP SPACING



SECTION A-A

MATERIAL: Zircaloy-4
WEIGHT: 3.156lbs



PROJECT:	Open100		
TITLE:	Intermediate Grid Assy		
DRAWN BY:	JAS	DATE:	2/8/2021
PAPER SIZE:	B	SCALE:	1:2
SHEET:	1 OF 1		

NOT FOR CONSTRUCTION

ITEM NO.	Title	MATERIAL	WEIGHT	QTY.
1	Intermediate Grid Exterior Strap	Zircaloy-4	0.081	4
2	Intermediate Grid Interior Strap	Zircaloy-4	0.079	34
3	Grid Bulge Joint Sleeve	Zircaloy-4	0.006	25